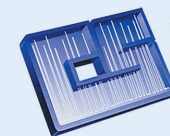


# Solutions Roadmap

## Agilent® 1260 & 1290 Series

Produced and Illustrated  
by Sciencix Engineers

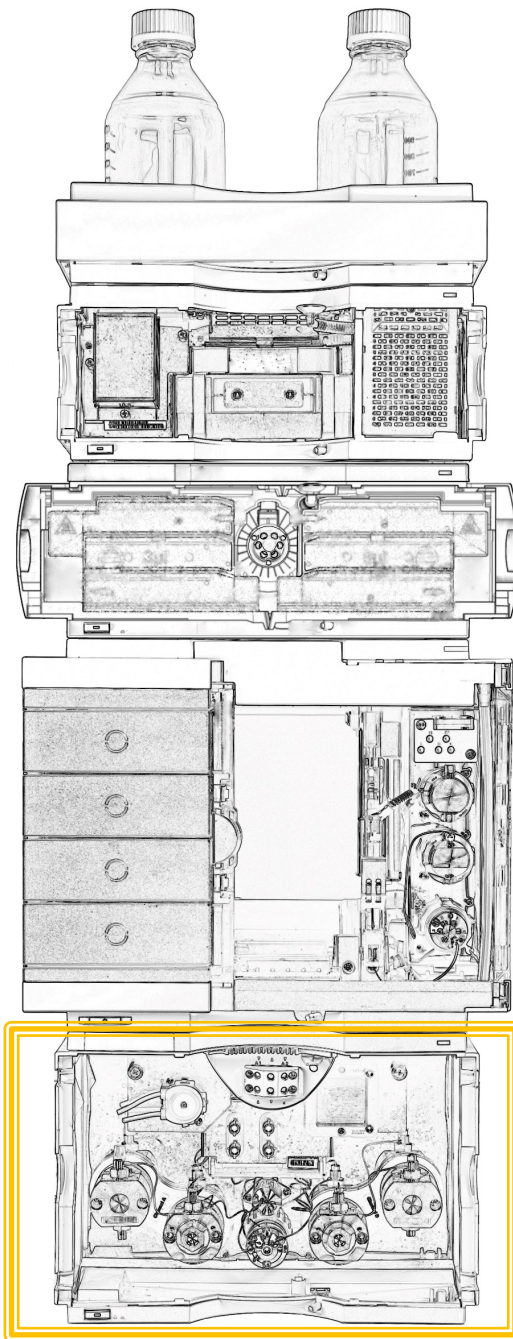


**CHROMATOGRAPHIC**   
**SPECIALTIES INC.**

1-800-267-8103 • [www.chromspec.com](http://www.chromspec.com) • [tech@chromspec.com](mailto:tech@chromspec.com)



# Agilent® 1260 & 1290 Series Pumps



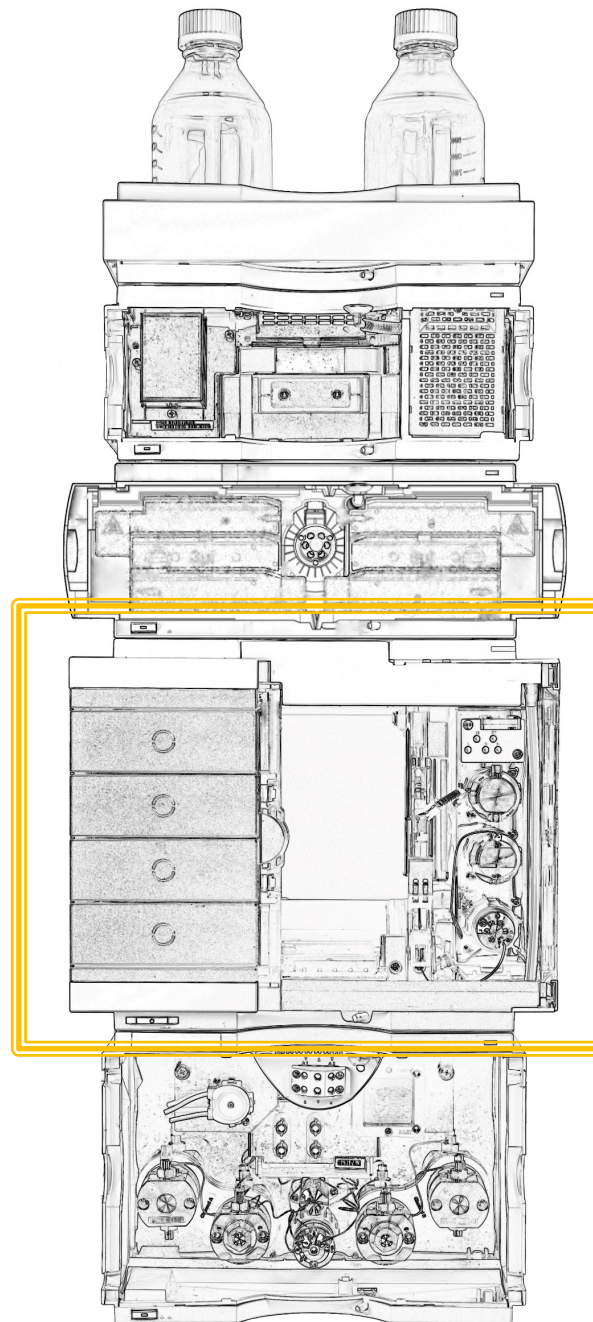
Pump Models: G1310B/C, G1311B/C, G1312B/C, G7110B, G7111B, G7111A, G7112B		
Product Description	Sciencix Part #	Comparable OEM Part #
Black Piston Seal, 2/pk	CTS-10417	5063-6589
Gold Piston Seals, 2/pk	CTS-11088	0905-1420
Wash Seal	CTS-10675	0905-1175
Wash Seal, PE	11-3832	0905-1718
Wash Seal Gasket, 6/pk	11-3321	5062-2484
Glass Solvent Filter	CTS-10843	5041-2168
Seal Cap Assembly	CTS-A11454	5067-4728
Active Inlet Valve Cartridge (400 bar)	CTS-10673	5062-8562
Active Inlet Valve Cartridge (600 bar)	11-4145	G1312-60020
Passive Inlet Valve	11-4101	G1312-60066
Sapphire Plunger	CTS-10303	5063-6586
Outlet Ball Valve (600 bar)	11-4093	G1312-60067
Peristaltic Pump	CTS-21183	5065-4445

Pump Models: G7120A, G4204A, G7104A/C, G4220A/B		
Product Description	Sciencix Part #	Comparable OEM Part #
Pump Seal, PE	11-3834	0905-1719
Wash Seal	CTS-10675	0905-1175
Wash Seal, PE	11-3832	0905-1718
Rotor Seal, 5-Pos. 7-Port (1200 bar)	11-3472	5068-0005
Glass Solvent Filter	CTS-10843	5041-2168
Seal Cap Assembly	CTS-A11454	5067-4728
Inlet Valve	CTS-21070	G4220-60022
Piston Ceramic	CTS-21219	5067-5678
Peristaltic Pump	CTS-21183	5065-4445

- G7112B, G7104A/C
- G1310B/C, G1311B/C, G1312B/C, G7104A/C
- G7110B, G7111B, G7120A
- G7111A, G4204A

# Agilent® 1260 & 1290 Series Autosamplers

Autosampler Models: <b>G1329B</b> , <b>G1367E</b> , <b>G4226A</b>		
Product Description	Sciencix Part #	Comparable OEM Part #
2 Position/6 Port Rotor Seal, Vespel® (600 bar)	CTS-12012	0101-1416
Needle Assembly	CTS-10835	G1313-87201
Needle Seat, Std., PEEK™, 0.17MM ID	11-2605	G1329-87017
2 Position/6 Port Rotor Seal, (1200 bar)	11-2312	5068-0007
Sapphire Plunger	CTS-10303	5063-6586
Capillary, Loop, 100µL	11-4059	01078-87302
Seal, Pump	CTS-10621	0905-1503
Black Piston Seal, 2/pk	CTS-10417	5063-6589
Bearing Ring	CTS-21266	1535-4045, 7010-006
Metering Device Seal	11-3830	0905-1717
Needle Assembly	11-3883	G4226-87201
Needle Seat Assembly, 0.12mm ID	11-3889	G4226-87012
Needle Seat, 0.12mm ID	CTS-21646	G1329-87012
Needle Seat, 0.12mm ID, 0.8mm OD, PEEK™, 600 bar	CTS-21277	G1367-87012
Peristaltic Pump	CTS-21183	5065-4445



Multisampler Models: <b>G7167A/B</b>		
Product Description	Sciencix Part #	Comparable OEM Part #
Rotor seal, Injector Valve 1300 bar, G7167B	CTS-21278	5068-0198
Rotor Seal, 2 Groove	CTS-21163	5068-0209
Bearing Ring	CTS-21266	1535-4045, 7010-006
Pump Seal PE	11-3834	0905-1719
Metering Device Seal	11-3830	0905-1717
Piston Ceramic	CTS-21219	5067-5678
Peristaltic Pump	CTS-21183	5065-4445

Vialsampler Models: <b>G7129A/B/C</b>		
Product Description	Sciencix Part #	Comparable OEM Part #
2 Position/6 Port Rotor Seal, Vespel® (600 bar)	CTS-12012	0101-1416
2 Position/6 Port Rotor Seal, (1200 bar)	11-2312	5068-0007
Seal, Pump	CTS-10621	0905-1503
Bearing Ring	CTS-21266	1535-4045, 7010-006
Metering Device Seal	11-3830	0905-1717
Piston Ceramic	CTS-21219	5067-5678
Peristaltic Pump	CTS-21183	5065-4445

**G1329B, G7167A**

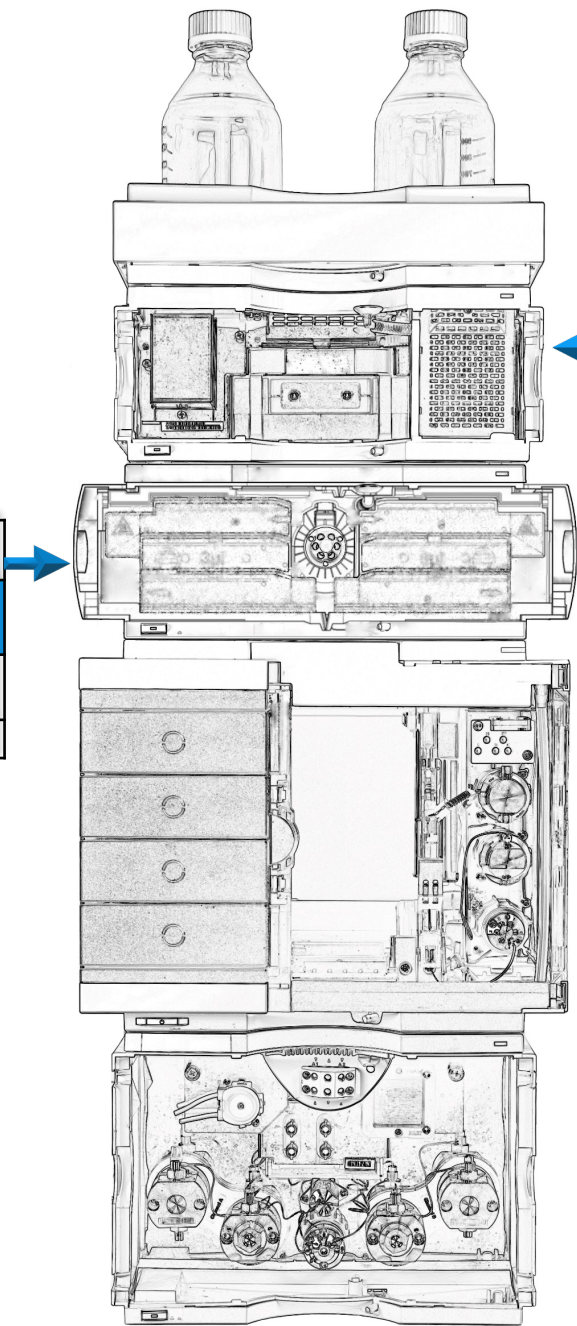
**G1367E, G7167B**

**G4226A**

# Agilent® 1260 & 1290 Series Column Compartment and Detectors

## Column Compartment Models: G1316B/C

Product Description	Sciencix Part Number	Comparable OEM Part Number
Rotor Seal, Vespel® for p/n 0101-0921	CTS-11419	0100-1855
Isolation Seal	CTS-11288	0100-1852



## Detector Models: G1315C/D, G1365C/D, G7115A, G7165A, G7117A/B, G4212A/B, G1314D/E/F, G7114A/B, G1314B/C

Product Description	Sciencix Part #	Comparable OEM Part #
Long Life HiS Deuterium Lamp, 8 pin, RFID (2000 hr)	11-4109	5190-0917
Long Life Deuterium Lamp RFID (2000 hr)	11-3984	2140-0820
Long Life Deuterium Lamp (2000 hr)	CTS-A11218	2140-0813
Long Life HiS Deuterium Lamp, RFID, VWD, (2000 hr)	11-4111	G1314-60101
Tungsten Lamp (1000 hr)	CTS-12013	G1103-60001
Long Life Deuterium Lamp (2000 hr)	CTS-10494	G1314-60100

- G1314B/C
- G1315C/D, G1365C/D, G7115A, G7165A
- G7117A/B, G4212A/B
- G1314D/E/F, G7114A/B

# Agilent® 1260 & 1290 Series PM Kits

DESCRIPTION	Sciencix Part #	Comparable OEM Part #
PM Kit, G4226A	CTS-21951	G4226-68735
PM Kit, G1329B Autosampler	11-4148	G1313-68719
PM Kit, G1367E	CTS-21577	G1367-68741
PM Kit, 1290 Binary Pump	CTS-21421	G4220-68741
PM Kit, 1260 & 1220 Pumps	11-4147	G1310-68741
PM Kit, G1312 Binary Pump	11-4146	G1312-68741
Seal Wash PM Kit, 1260 Pump	CTS-21106	G1310-68742
PM Kit, Seal Wash for Binary Pump G4204A	CTS-21566	G4204-68742
PM Kit, Seal Wash for Binary Pump G4220A	CTS-21567	G4220-68742