



New Product
Announcement

NPA



HIGH PERFORMANCE H6800 BALL VALVE

NOW AVAILABLE FOR
CNG APPLICATIONS



The H-6800 CNG series is a high-performance instrumentation manual ball valve for **CNG/NGV** applications requiring ECE R110-type approval.

The valves offer a tight shutoff, long-life service and low operating torque. The H-6800 CNG series ball valve is rated to max. 3770 psig and performs as a manual on/off service.



CHROMATOGRAPHIC SPECIALTIES INC.

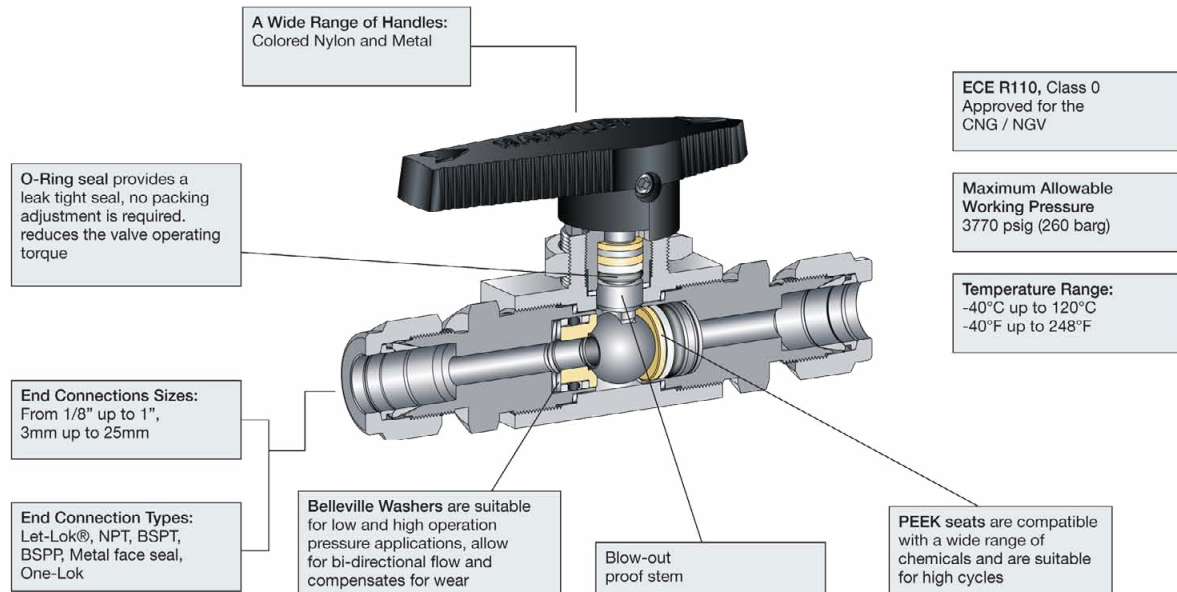
www.chromspec.com

1-800-267-8103 • sales@chromspec.com • tech@chromspec.com



HIGH PERFORMANCE H6800 BALL VALVE - FOR CNG APPLICATIONS

New Product
Announcement
NPA



ORDERING INFORMATION

H 68	00	SS	L	1/4	A	S	S	CNG	
Valves Series	Valve Type	Body and Ends Material*	End Connection	End Connection Size	Seat Material	Handle	Valve Pattern Type	Approval	
	00 - LET-LOK® End Connection 10 - Female End Connection 80 - Male End Connection 85 - Male to Female End Connection 90 - Female to LET-LOK® End Connection 95 - Male to LET-LOK® End Connection	SS - St.St. 316	L - LET-LOK® End N - Threaded NPT G - ISO parallel R - ISO Tapered GL - Metal Gasket Face seal HL - One-Lok Tube Fittings NL - NPT to LET-LOK® LN - LET-LOK® to NPT	1/8 3 MM 1/4 6 MM 3/8 8 MM 1/2 12 MM 3/4 16 MM 1 25 MM	A PEEK	S Black Nylon Handle R Red Nylon Handle B Blue Nylon Handle Y Yellow Nylon Handle G Green Nylon Handle M Metal (St.St.) Handle M7 Metal (St.St.) Handle 70mm length*	S Straight Port Valve A Angle Port Valve T 3-Port Valve	CNG ECE R110	
								Treatment	
								BLANK - Standard Cleaning & Passivation OC - Oxygen Clean LF - Lubricant Free SI - Silicon Coating	

*Extended Metal Handle for valves up to 3/8".